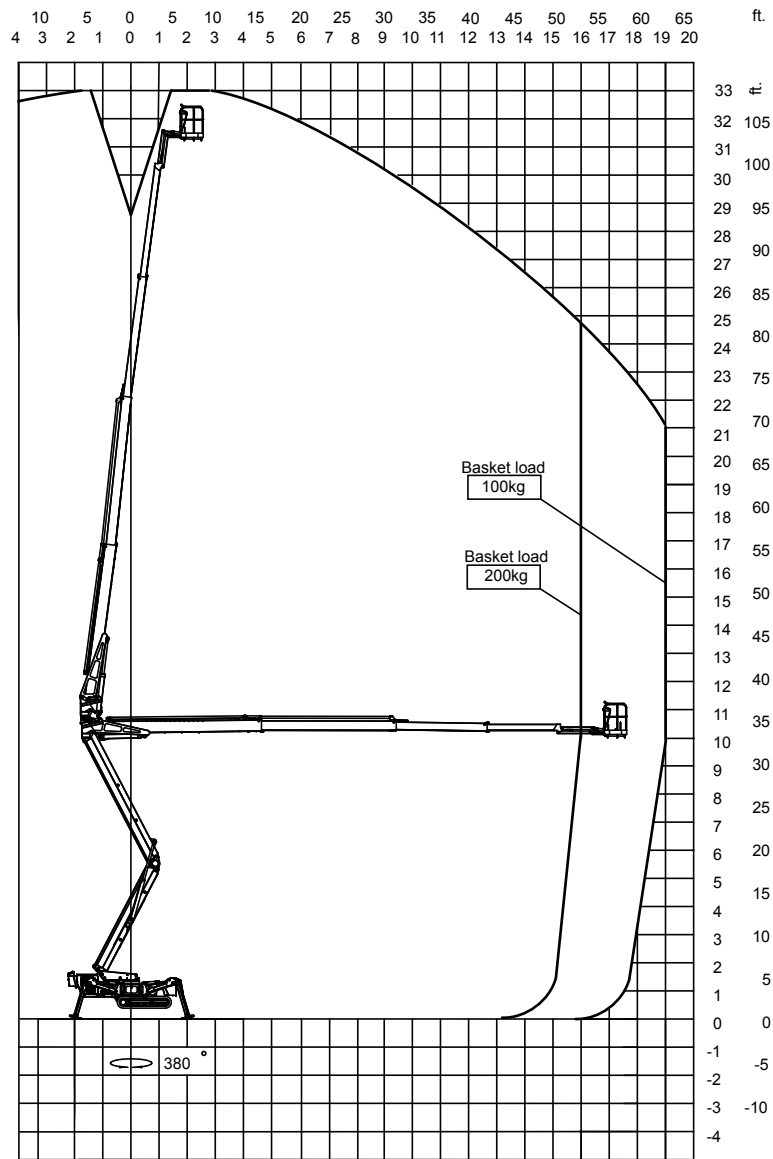


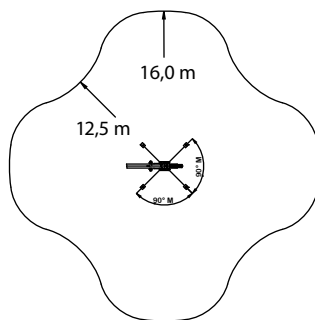
FALCON FS330Z

Reach diagram — Optimised position

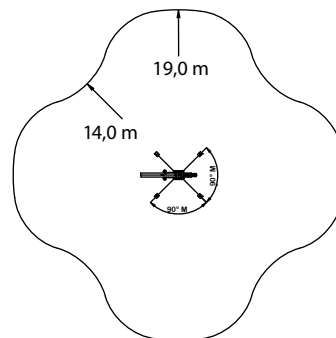


Reach with different basket load

Basket load 200 kg



Basket load 100 kg



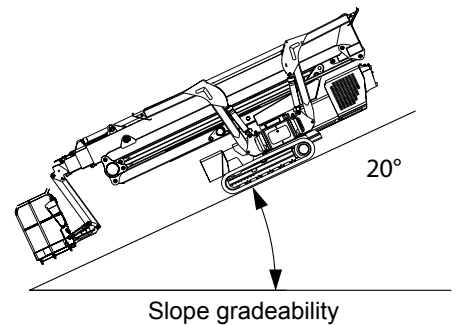
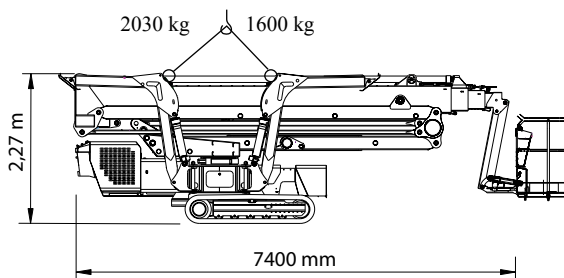
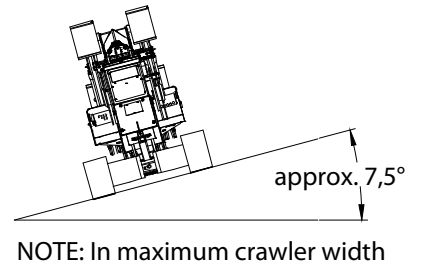
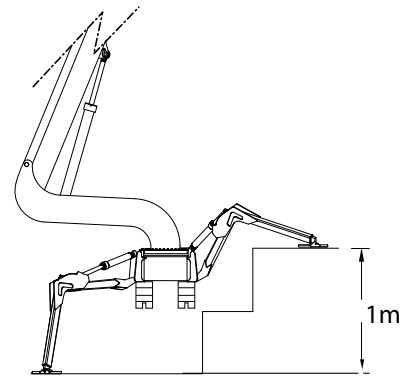
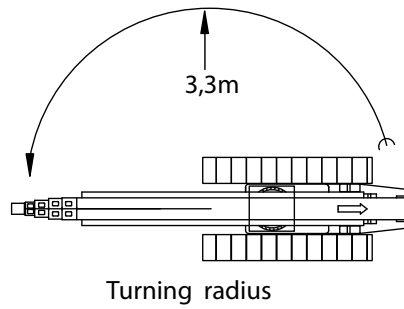
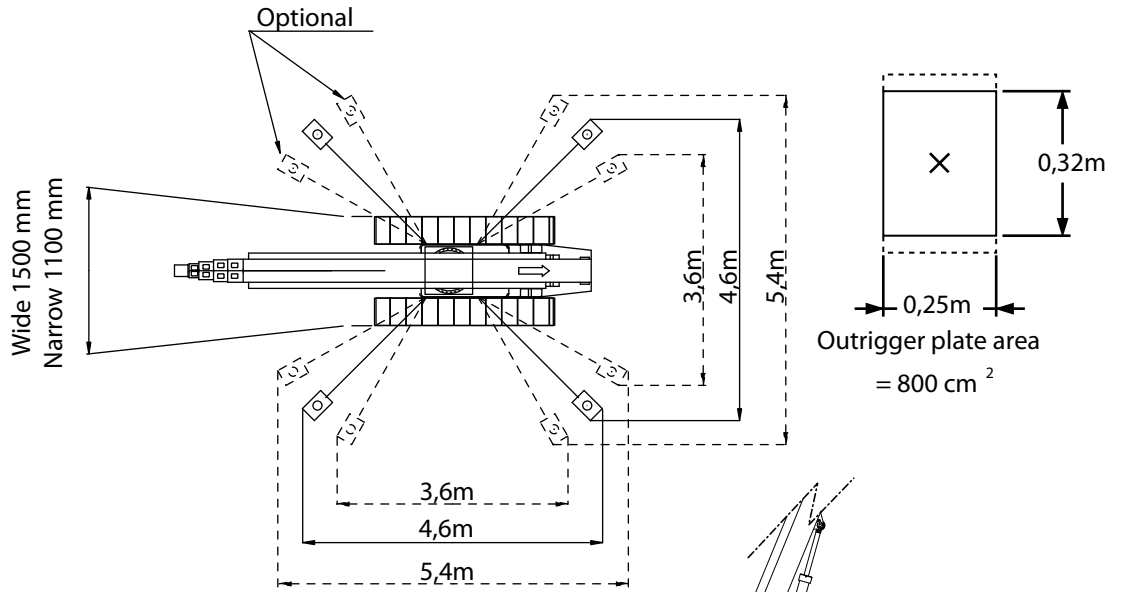
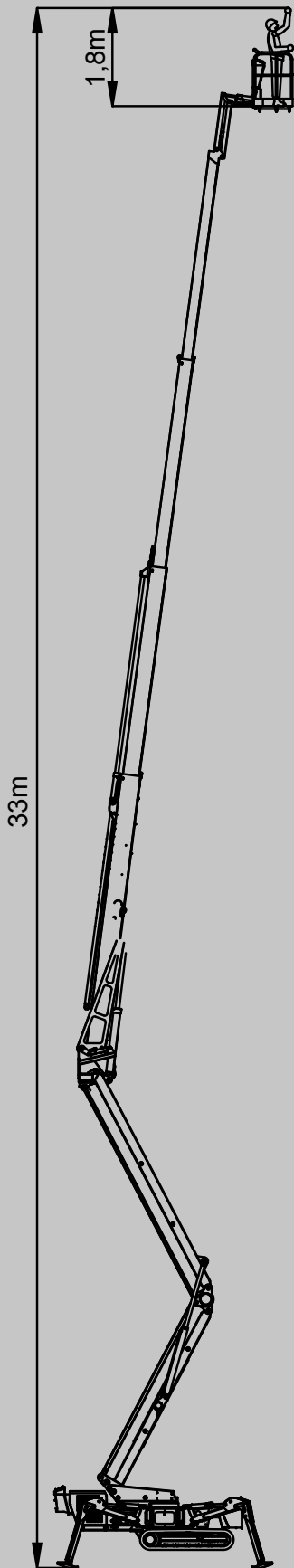
All measurements in meters

All measurements are intended as guide. Choice of equipment may change the mentioned measurements

TCA LIFT A/S

Tolderlundsvej 106
DK • 5000 Odense C
Tel.: +45 66 13 11 00

www.tcalift.com



Additional info:

Weight and ground pressure:

Weight with standard equipment	5900 kg
Surface pressure under crawlers (soft surface)	0,85 kg/cm ²
Surface pressure under crawlers (hard surface)	3,00 kg/cm ²
Max. ground pressure under 1 outrigger plate	3,40 kg/cm ²

As all our products are in a constant process of development we reserve the right to alterations