



Platformers Business

Innovative Lösungen bieten beste Voraussetzungen für Ihr erfolgreiches "Platformers Business". Mit diesem Anspruch entwickelt und produziert PB seit über 25 Jahren selbstfahrende Arbeitsbühnen - made in Germany.

Im stetigen und konstruktiven Dialog mit Vermietern und Anwendern entstanden die ausgereiftesten und leistungsstärksten selbstfahrenden Arbeitsbühnen in der Kompaktklasse. Zu den wichtigsten Eigenschaften zählen:

- optimale Wendigkeit
- hohe Tragkraft, große Plattform
- geringes Eigen- und Transportgewicht
- niedrige Bodenlasten
- einfache Bedienung, präzise Steuerung

Jede PB Arbeitsbühne kombiniert all diese Vorteile zu einem einzigartigen Leistungspaket. Das bietet Ihnen sowohl flexible als auch innovative Lösungen für Ihre Kunden - und damit die beste „Business-Plattform“ für Sie.



An innovative solution offers the best conditions for successful "Platformers Business". With this statement PB has been developing and produced self-propelled aerial platforms for over 25 years - made in Germany.

Through continuous and constructive dialogue with the owners and users the most advanced and most powerful self-propelled aerial platforms has been produced within the compact range. The main features are:

- optimum manoeuvrability
- high capacity, large platform
- compact and low weight easy for transport
- low point loadings
- simple operation, precise control

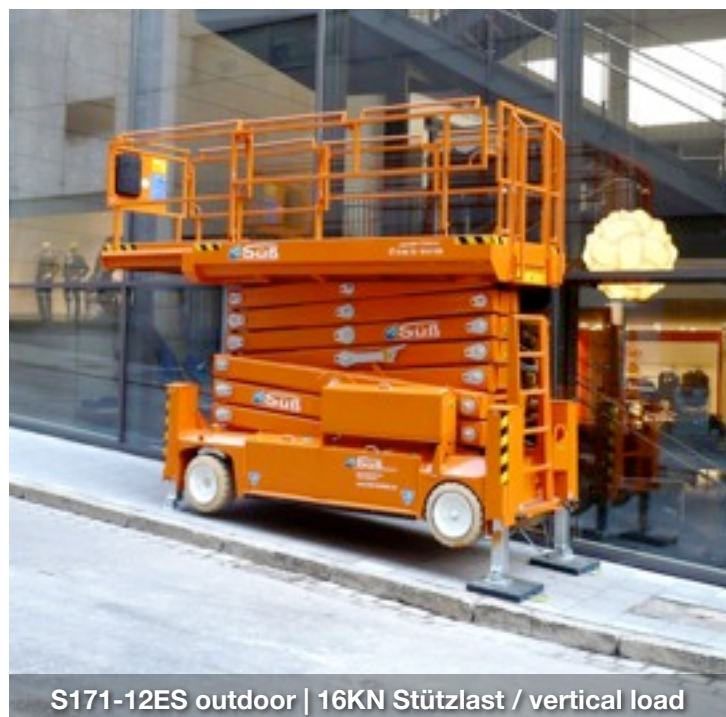
Each PB platform combines all these advantages to create a unique solution. That offers both flexibility and innovation for your customers – and to create a successful "Business Platform" for you.



S225-12ES outdoor | 32KN Stützlast / vertical load



S195-12E | 600kg platform capacity



S171-12ES outdoor | 16KN Stützlast / vertical load



90° Lenkung / steering | Frontwheeldrive | Difflock

Technische Daten / Specifications

| 10,00 - 15,00 m / Typ PB | S101-12E | S121-12E | S131-12E | S131-12ES | S151-12E | S151-12ES |
|---|----------------|----------------|--------------------|----------------|--------------------|----------------|
| Einsatzbereich / operation area | in/+outdoor | in/+outdoor | in/+outdoor | in/+outdoor | in/+outdoor | in/+outdoor |
| Arbeitshöhe / Working height | 10.20m | 12.10m | 13.00m | 13.00m | 15.01m | 15.01m |
| Plattformhöhe / Platform height | 8.20m | 10.10m | 11.00m | 11.00m | 13.01m | 13.01m |
| Fahren in voller Höhe / Drive in full height | Ja/Yes | Ja/Yes | Ja/Yes | Ja/Yes | Ja/Yes | Ja/Yes |
| Plattformh. eingef. / Platform height stowed | 1.37m | 1.52m | 1.54m | 1.54m | 1.70m | 1.70m |
| Tragkraft / Platform capacity | 450kg | 350kg | 700kg | 700kg | 550kg | 550kg |
| Plattformmaße (LxB) / Platform size | 2.60 x 1.19m | 2.60 x 1.19m | 2.90 x 1.19m | 2.90 x 1.19m | 2.90 x 1.19m | 2.90 x 1.19m |
| Plattformmaße max./ max. platform size | 3.60 x 1.19m | 3.60 x 1.19m | 3.90 x 1.19m | 3.90 x 1.19m | 3.90 x 1.19m | 3.90 x 1.19m |
| Gesamtbreite / Overall width | 1.20m | 1.20m | 1.20m | 1.20m | 1.20m | 1.20m |
| Gesamtlänge / Overall length | 2.73m | 2.73m | 2.95m | 3.27m | 2.95m | 3.27m |
| Lenkeinschlag / Max. angle of turn | 90 Grad | 90 Grad | 90 Grad | 90 Grad | 90 Grad | 90 Grad |
| Wenderadius / Turning radius outside | 2.50m | 2.50m | 2.82m | 2.97m | 2.82m | 2.97m |
| Gesamthöhe eingef. / height lowered | 2.50m | 2.65m | 2.70m | 2.70m | 2.90m | 2.90m |
| Transporthöhe / transport height | 1.69m | 1.84m | 1.86m | 1.86m | 2.06m | 2.06m |
| Gesamtgewicht / Gross weight | 2.800kg | 2.880kg | 5.000kg | 5.300kg | 5.390kg | 4.780kg |
| Motorleistung / Motor (E/D) | 8kW 48V | 8kW 48V | 8kW 48V | 8kW 48V | 8kW 48V | 8kW 48V |
| Batteriekapazität / Capacity (E) | 200 Ah5 | 200 Ah5 | 200 / opt. 400 Ah5 | | 200 / opt. 400 Ah5 | |
| Steigfähigkeit / Gradeability | 25 % | 25 % | 25 % | 25 % | 25 % | 25 % |
| Differentialsperre / Differential lock | Serie | Serie | Serie | Serie | Serie | Serie |
| Niveaueingleich / Levelling System | - | - | - | autom. | - | autom. |
| Stützhub Gesamt max. / Levelling stroke | - | - | - | 350 mm | - | 350 mm |
| Höhenausgleich max. / Height compensation | - | - | - | 200 mm | - | 200 mm |
| Max. Stützlast / max. bearing load | - | - | - | 16 KN | - | 16 KN |

| 17,00 - 22,50 m / Typ PB | S171-12E | S171-12ES | S195-12E | S195-12ES | S225-12E | S225-12ES |
|---|--------------------|----------------|-------------------|----------------|-------------------|-----------------|
| Einsatzbereich / operation area | indoor | in/+outdoor | indoor | in/+outdoor | indoor | in/+outdoor |
| Arbeitshöhe / Working height | 17.03m | 17.03m | 19.70m | 19.70m | 22.50m | 22.50m |
| Plattformhöhe / Platform height | 15.03m | 15.03m | 17.70m | 17.70m | 20.50m | 20.50m |
| Fahren in voller Höhe / Drive in full height | Ja/Yes | Ja/Yes | Ja/Yes | Ja/Yes | Ja/Yes | Ja/Yes |
| Plattformh. eingef. / Platform height stowed | 1.89m | 1.89m | 2.31m | 2.31m | 2.56m | 2.56m |
| Tragkraft / Platform capacity | 400kg | 400kg | 600kg | 600kg | 450kg | 450kg |
| Plattformmaße (LxB) / Platform size | 2.90 x 1.19m | | 3.98 x 1.19m | 3.98 x 1.19m | 3.98 x 1.19m | 3.98 x 1.19m |
| Plattformmaße max./ max. platform size | 3.90 x 1.19m | 3.90 x 1.19m | 5.48 x 1.19m | 5.48 x 1.19m | 5.48 x 1.19m | 5.48 x 1.19m |
| Gesamtbreite / Overall width | 1.20m | 1.20m | 1.20m | 1.20m | 1.20m | 1.20m |
| Gesamtlänge / Overall length | 2.95m | 3.27m | 4.14m | 4.49m | 4.14m | 4.49m |
| Lenkeinschlag / Max. angle of turn | 90 Grad | 90 Grad | 90 Grad | 90 Grad | 90 Grad | 90 Grad |
| Wenderadius / Turning radius outside | 2.82m | 2.97m | 3.89m | 4.04m | 3.89m | 4.04m |
| Gesamthöhe eingef. / height lowered | 3.06m | 3.06m | 3.47m | 3.47m | 3.72m | 3.71m |
| Transporthöhe / transport height | 2.23m | 2.23m | 2.64m | 2.66m | 2.89m | 2.89m |
| Gesamtgewicht / Gross weight | 4.670kg | 5.120kg | 8.820 kg | 9.360kg | 9.750kg | 10.290kg |
| Motorleistung / Motor (E/D) | 8kW 48V | 8kW 48V | 16kW 48V | 16kW 48V | 16kW 48V | 16kW 48V |
| Batteriekapazität / Capacity (E) | 200 / opt. 400 Ah5 | | 560 Ah5 Aquamatik | | 560 Ah5 Aquamatik | |
| Steigfähigkeit / Gradeability | 25 % | 25 % | 25 % | 25 % | 25 % | 25 % |
| Differentialsperre / Differential lock | Serie | Serie | Serie | Serie | Serie | Serie |
| Niveaueingleich / Levelling System | - | autom. | - | autom. | - | autom. |
| Stützhub Gesamt max. / Levelling stroke | - | 350 mm | - | 400 mm | - | 400 mm |
| Höhenausgleich max. / Height compensation | - | 200 mm | - | 200 mm | - | 200 mm |
| Max. Stützlast / max. bearing load | - | 16 KN | - | 28 KN | - | 32 KN |

PB Standards

- Duales Scherensystem - wartungsfrei / Dual scissor system maintenance-free
- Korrosionsschutz + Pulverbeschichtung / Corrosion protection + powder coated
- Exakte Gewichtsüberwachung / Weight control for platform and scissor system
- Steuerpult + Bedientableau am Chassis / Control board + ground control system
- Telemetrie-Diagnosesystem PBdigiConnect / Telemetric Diagnose System PBdigiConnect
- Höhenbegrenzung 1m Raster / Working height limitation
- Notbedienung elektrisch + manuell / Emergency operation electrical and manual



Technische Daten / Specifications

| 13.00 m / Typ PB | S131-16E | S131-16ES | S131-16EM | S131-16ESM |
|---|--------------------|--------------------|--------------------|--------------------|
| Einsatzbereich / operation area | in/+outdoor | in/+outdoor | Mega-Deck | Mega-Deck |
| Arbeitshöhe / Working height | 13.00m | 13.00m | 13.00m | 13.00m |
| Plattformhöhe / Platform height | 11.00m | 11.00m | 11.00m | 11.00m |
| Fahren in voller Höhe / Drive in full height | Ja/Yes | Ja/Yes | Ja/Yes | Ja/Yes |
| Plattformh. eingef. / Platform height stowed | 1.54m | 1.54m | 1.62m | 1.62m |
| Tragkraft / Platform capacity | 700kg | 700kg | 500kg | 500kg |
| Plattformmaße (LxB) / Platform size | 3.08 x 1.58m | 3.08 x 1.58m | 4.10 x 1.58m | 4.10 x 1.58m |
| Plattformmaße max./ max. platform size | 4.08 x 1.58m | 4.08 x 1.58m | 6.20 x 1.58m | 6.20 x 1.58m |
| Gesamtbreite / Overall width | 1.60m | 1.60m | 1.60m | 1.60m |
| Gesamtlänge / Overall length | 3.18m | 3.38m | 4.14m | 4.14m |
| Lenkeinschlag / Max. angle of turn | 90 Grad | 90 Grad | 90 Grad | 90 Grad |
| Wenderadius / Turning radius outside | 3.20m | 3.35m | 3.55m | 3.55m |
| Gesamthöhe eingef. / height lowered | 2.70m | 2.70m | 2.90m | 2.90m |
| Transporthöhe / transport height | 1.86m | 1.86m | 2.03m | 2.03m |
| Gesamtgewicht / Gross weight | 4.420kg | 5.050kg | 4.810kg | 5.290kg |
| Motorleistung / Motor (E/D) | 8kW 48V | 8kW 48V | 8kW 48V | 8kW 48V |
| Batteriekapazität / Capacity (E) | 200 / opt. 400 Ah5 | 200 / opt. 400 Ah5 | 200 / opt. 400 Ah5 | 200 / opt. 400 Ah5 |
| Steigfähigkeit / Gradeability | 25 % | 25 % | 25 % | 25 % |
| Differentialsperre / Differential lock | Serie | Serie | Serie | Serie |
| Niveaueausgleich / Levelling System | - | autom. | - | autom. |
| Stützhub Gesamt max. / Levelling stroke | - | 350 mm | - | 350 mm |
| Höhenausgleich max. / Height compensation | - | 200 mm | - | 200 mm |
| Max. Stützlast / max. bearing load | - | 17 KN | - | 18 KN |

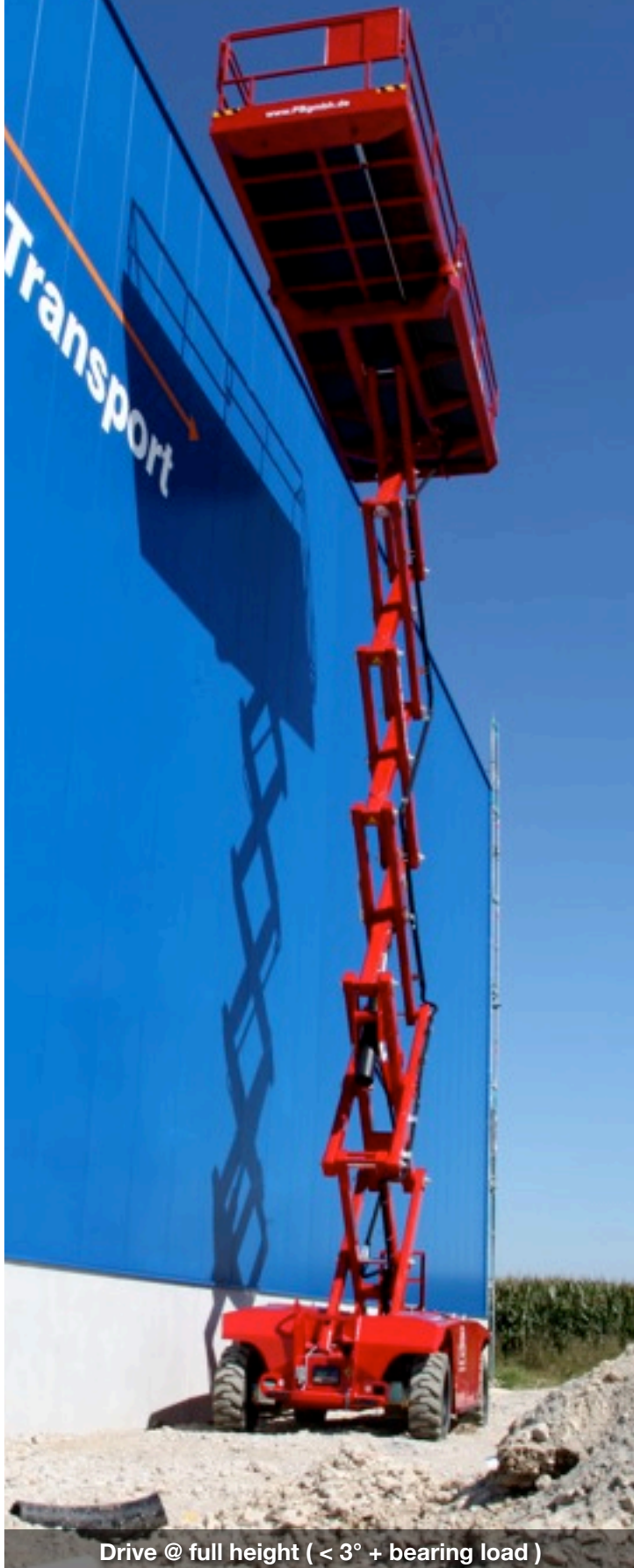
| 15,00 - 17,00 m / Typ PB | S151-16E | S151-16ES | S171-16E | S171-16ES |
|---|--------------------|--------------------|--------------------|--------------------|
| Einsatzbereich / operation area | in/+outdoor | in/+outdoor | in/+outdoor | in/+outdoor |
| Arbeitshöhe / Working height | 15.01m | 15.01m | 17.03m | 17.03m |
| Plattformhöhe / Platform height | 13.01m | 13.01m | 15.03m | 15.03m |
| Fahren in voller Höhe / Drive in full height | Ja/Yes | Ja/Yes | Ja/Yes | Ja/Yes |
| Plattformh. eingef. / Platform height stowed | 1.70m | 1.70m | 1.89m | 1.89m |
| Tragkraft / Platform capacity | 550kg | 550kg | 400kg | 400kg |
| Plattformmaße (LxB) / Platform size | 3.08 x 1.58m | 3.08 x 1.58m | 3.08 x 1.58m | 3.08 x 1.58m |
| Plattformmaße max./ max. platform size | 4.08 x 1.58m | 4.08 x 1.58m | 4.08 x 1.58m | 4.08 x 1.58m |
| Gesamtbreite / Overall width | 1.60m | 1.60m | 1.60m | 1.60m |
| Gesamtlänge / Overall length | 3.18m | 3.38m | 3.18m | 3.38m |
| Lenkeinschlag / Max. angle of turn | 90 Grad | 90 Grad | 90 Grad | 90 Grad |
| Wenderadius / Turning radius outside | 3.20m | 3.35m | 3.20m | 3.35m |
| Gesamthöhe eingef. / height lowered | 2.90m | 2.90m | 3.06m | 3.06m |
| Transporthöhe / transport height | 2.06m | 2.06m | 2.21m | 2.23m |
| Gesamtgewicht / Gross weight | 4.940kg | 5.530kg | 5.120kg | 5.590kg |
| Motorleistung / Motor (E/D) | 8kW 48V | 8kW 48V | 8kW 48V | 8kW 48V |
| Batteriekapazität / Capacity (E) | 200 / opt. 400 Ah5 | 200 / opt. 400 Ah5 | 200 / opt. 400 Ah5 | 200 / opt. 400 Ah5 |
| Steigfähigkeit / Gradeability | 25 % | 25 % | 25 % | 25 % |
| Differentialsperre / Differential lock | Serie | Serie | Serie | Serie |
| Niveaueausgleich / Levelling System | - | autom. | - | autom. |
| Stützhub Gesamt max. / Levelling stroke | - | 350 mm | - | 350 mm |
| Höhenausgleich max. / Height compensation | - | 200 mm | - | 200 mm |
| Max. Stützlast / max. bearing load | - | 17 KN | - | 17 KN |

PB Standards

- Duales Scherensystem - wartungsfrei / Dual scissor system maintenance-free
- Korrosionsschutz + Pulverbeschichtung / Corrosion protection + powder coated
- Exakte Gewichtsüberwachung / Weight control for platform and scissor system
- Steuerpult + Bedientableau am Chassis / Control board + ground control system
- Telemetrie-Diagnosesystem PBdigiConnect / Telemetric Diagnose System PBdigiConnect
- Höhenbegrenzung 1m Raster / Working height limitation
- Notbedienung elektrisch + manuell / Emergency operation electrical and manual

Multi-Talent

- 6.20m Mega-Deck
- Elektropower für indoor + outdoor 4x4
- **Spezialeinsätze** Gefälle, City, Tunnel, ...



Drive @ full height (<math>< 3^\circ</math> + bearing load)



Plattformgeländer klappbar / Fold-away guardrails



Automatic Levelling System



Optional

Bi-Power Charging System 400V/120A + 230V/50A

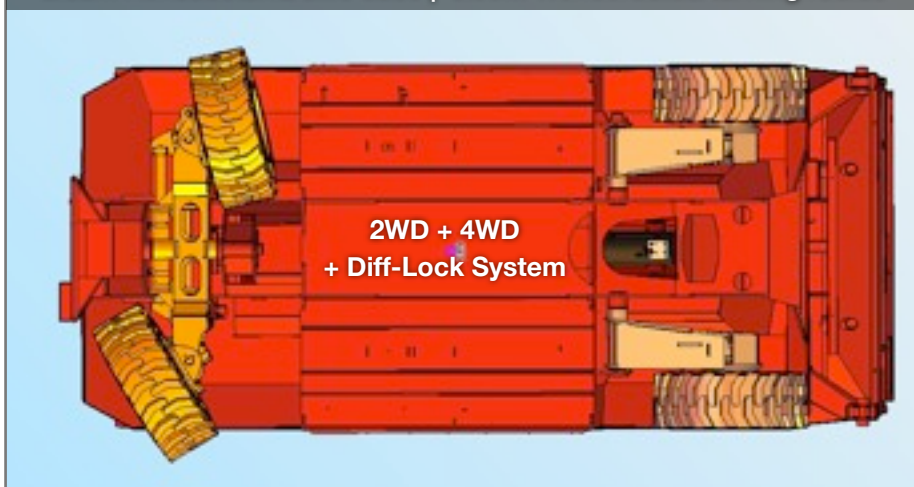
Technische Daten / Specifications

| 13,00 - 18,00 m / Typ PB | S131-19E 4x4 | S151-19E 4x4 | S151-19E HT4x4 | S175-19E 4x4 |
|---|------------------------------|------------------------------|------------------------------|------------------------------|
| Einsatzbereich / operation area | in/+outdoor | in/+outdoor | in/+outdoor | in/+outdoor |
| Arbeitshöhe / Working height | 13.00m | 15.00m | 15.00m | 17.80m |
| Plattformhöhe / Platform height | 11.00m | 13.00m | 13.00m | 15.80m |
| Fahren in voller Höhe / Drive in full height | Ja/Yes | Ja/Yes | Ja/Yes | Ja/Yes |
| Plattformh. eingef. / Platform height stowed | 1.88m | 2.07m | 2.09m | 2.22m |
| Tragkraft / Platform capacity | 700kg / 2 Pers. | 500kg / 2 Pers. | 750kg / 4 Pers. | 500kg / 4 Pers. |
| Tragkraft Plattformausschub / platf. extension | 700kg / 2 Pers. | 500kg / 2 Pers. | 750kg / 4 Pers. | 500kg / 4 Pers. |
| Plattformaße (LxB) / Platform size | 4.00 x 1.90m | 4.00 x 1.90m | 4.00 x 1.90m | 4.00 x 1.90m |
| Plattformaße max./ max. platform size | 6.20 x 1.90m | 6.20 x 1.90m | 6.20 x 1.90m | 6.20 x 1.90m |
| Gesamtbreite / Overall width | 1.90m | 1.90m | 1.90m | 1.90m |
| Gesamtlänge / Overall length | 4.20m | 4.20m | 4.20m | 4.20m |
| Lenkeinschlag / Max. angle of turn | 80° Grad | 80° Grad | 80° Grad | 80° Grad |
| Wenderadius / Turning radius outside | 3.90m | 3.90m | 3.90m | 3.90m |
| Gesamthöhe eingef. / height lowered | 3.07m | 3.27m | 3.24m | 3.45m |
| Transporthöhe / transport height | 2.18m | 2.38m | 2.33m | 2.54m |
| Gesamtgewicht / Gross weight | 6.900kg | 7.310kg | 8.610 kg | 8.980kg |
| Motorleistung / Motor (E/D) | 16kW 48V | 16kW 48V | 16kW 48V | 16kW 48V |
| Batteriekapazität / Capacity (E) | 455 - 700Ah/5 | 455 - 700Ah/5 | 455 - 700Ah/5 | 455 - 700Ah/5 |
| Steigfähigkeit / Gradeability | 30 % | 30 % | 30 % | 30 % |
| Allradantrieb / 4WD | Serie | Serie | Serie | Serie |
| Differentialsperre / Differential lock | Serie | Serie | Serie | Serie |
| Pendelachse front / Oscillating axle | Serie | Serie | Serie | Serie |
| Nivellierachsen / Levelling axle | Serie | Serie | Serie | Serie |
| Niveauausgleich / Levelling System | aut. Achsnivellierung | aut. Achsnivellierung | aut. Achsnivellierung | aut. Achsnivellierung |
| Stützhub Gesamt max. / Levelling stroke | 250/380mm | 250/380mm | 250/380mm | 250/380mm |

80° Lenkung / steering angle



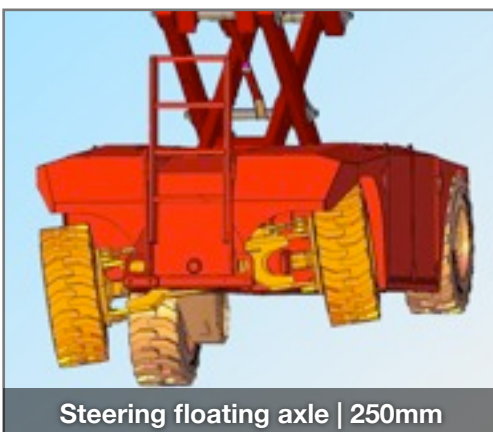
2.82m Achsabstand/axle base | 3.90m Wenderadius/turning radius



3 in 1: Indoor-Megadeck 2WD + Outdoor 4x4 + Spezialeinsätze / Special Applications



4 Wheel Multi Levelling



Steering floating axle | 250mm



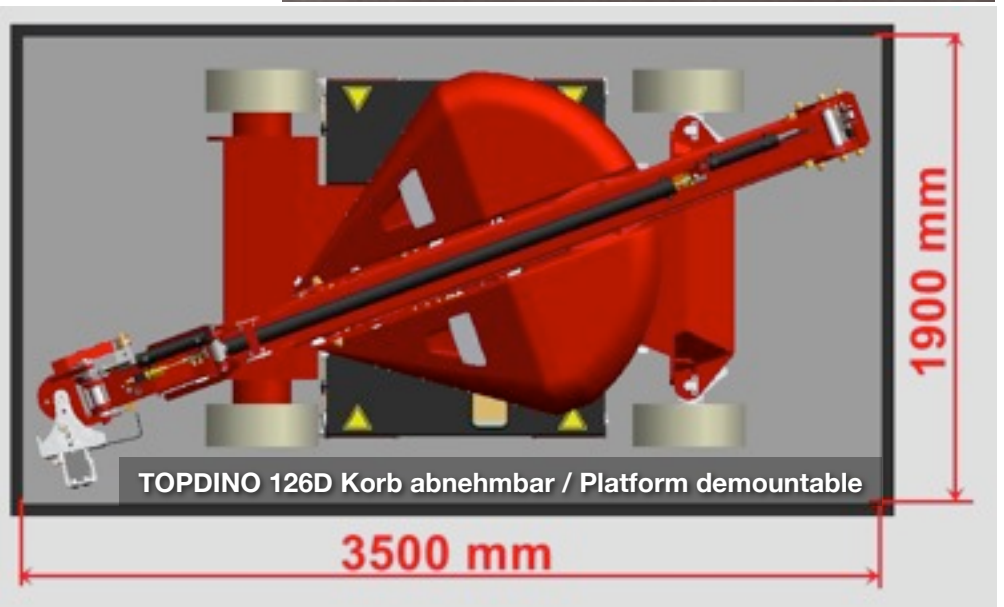
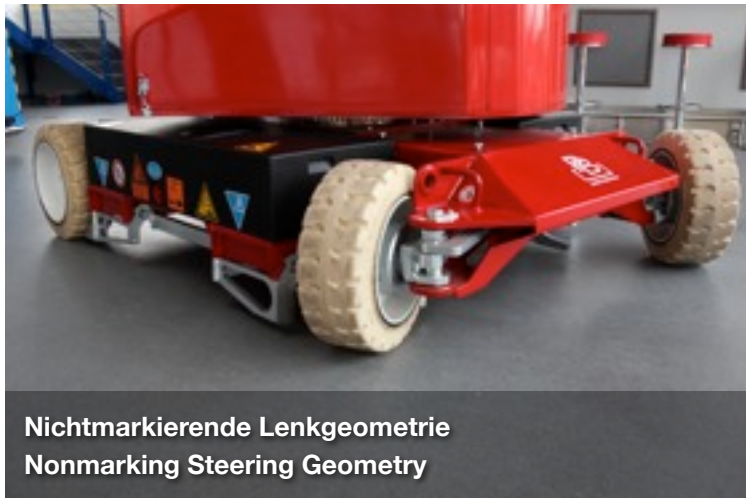
rear axles | 380mm

Alle Achsfunktionen im Automatik- oder Manuell-Modus bedienbar / all axle functions can be used in automatic or manual mode.



Technische Daten / Specifications

| 10.90 - 12.60 m / Typ PB | 112 II | 112 D II | 121 II | 121 D II | 126 II | 126 D II |
|---|-------------------|-----------------|-----------------|-----------------|-----------------|-----------------|
| Einsatzbereich / Operation area | indoor+outdoor | indoor+outdoor | indoor+outdoor | indoor+outdoor | indoor+outdoor | indoor+outdoor |
| Arbeitshöhe / Working height | 11.14 m | 10.90 m | 12.16 m | 11.90 m | 12.66 m | 12.40 m |
| Platförmhöhe / Platform height | 9.14 m | 8.90 m | 10.16 m | 9.90 m | 10.66 m | 10.40 m |
| Fahren in voller Höhe / Drive in full height | Ja / Yes | Ja / Yes | Ja / Yes | Ja / Yes | Ja / Yes | Ja / Yes |
| Tragkraft / Platform capacity | 225 kg | 200 kg | 225 kg | 200 kg | 225 kg | 200 kg |
| Korbmaße aussen / Platform size | 1.42 x 0.77 m | 1.42 x 0.77 m | 1.42 x 0.77 m | 1.42 x 0.77 m | 1.42 x 0.77 m | 1.42 x 0.77 m |
| Seitliche Reichweite / Horizontal reach | 5.02 m | 5.47 m | 6.70 m | 7.06 m | 7.20 m | 7.56 m |
| Schwenkbereich / Turntable rotation | 2 x 190° | 2 x 190° | 2 x 190° | 2 x 190° | 2 x 190° | 2 x 190° |
| Korbarm vertikal / Jib rotation | 130° | 130° | 130° | 130° | 130° | 130° |
| Arbeitskorb drehbar / Rotation Platform | -- | 2 x 85° | -- | 2 x 85° | -- | 2 x 85° |
| Gesamtbreite / Overall width | 1,55 m | 1,55 m | 1,55 m | 1,55 m | 1,55 m | 1,55 m |
| Gesamtlänge / Overall length | 4.22 m | 4.33 m | 4.09 m | 4.21 m | 4.34 m | 4.46 m |
| Gesamtlänge ohne Korb / l. without platform | 3.82 m | 3.46 m | 3.69 m | 3.33 m | 3.95 m | 3.58 m |
| Gesamtlänge Korb seitl. / l. platform rotated | -- | 3.97 m | -- | 3.91 m | -- | 4.16 m |
| Wendekreis außen / Turning circle outs. | 2.83 m | 2.83 m | 2.83 m | 2.83 m | 2.83 m | 2.83 m |
| Transporthöhe / Overall height lowered | 1.95 m | 1.95 m | 1.95 m | 1.95 m | 1.95 m | 1.95 m |
| Gesamtgewicht / Gross vehicle weight | 2.790 kg | 2.880 kg | 4.240 kg | 4.630 kg | 4.590 kg | 4.770 kg |
| Max. Stützkraft pro Rad / vertical wheel force | 23 kN | 25 kN | 35 kN | 38 kN | 38 kN | 40 kN |
| Batteriekapazität / Battery capacity | 200 / opt.400Ah/5 | | 400Ah/5 | 400Ah/5 | 400Ah/5 | 400Ah/5 |
| Steigfähigkeit / Gradeability | 25 % | 25 % | 25 % | 25 % | 25 % | 25 % |
| Differentialsperre / Differential lock | Serie | Serie | Serie | Serie | Serie | Serie |



PBdigiConnect Telemetriesystem



Echtzeitdiagnose / Live-Diagnostic
(terms can be chosen multilingual)



GPS-Ortung / GPS Position

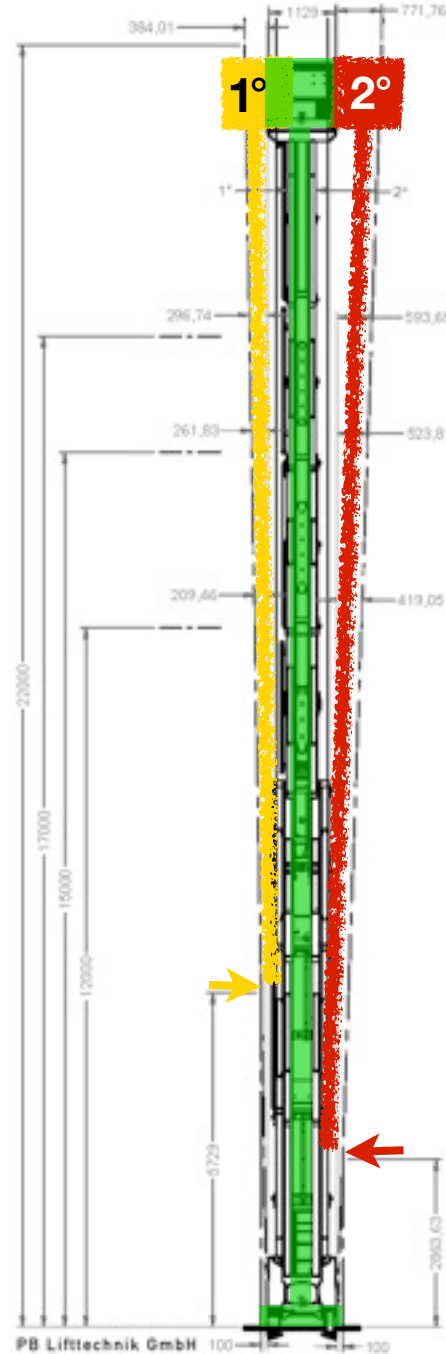


Betriebsdaten / Work data management

PBdigiConnect verleiht dem Begriff „Servicequalität“ einen neuen Maßstab. Es ermöglicht **innerhalb weniger Minuten eine Echtzeit-Diagnose der Maschine auf der ganzen Welt**. Innerhalb des deutschen Funknetzes fallen für PBdigiConnect-Kunden derzeit keine **monatliche Fixkosten** an.

With PBdigiConnect the term "quality of service" raises to a new standard. It allows **within a few minutes, a real-time diagnostics of the machine all over the world**.

Niveau- / Levelling System



2° Grad Neigung bedeuten in 22m Höhe 800mm seitlichen Versatz. Die ES Serie nivelliert in Sekunden vollautomatisch auf 0° Grad und bringt ihre Besetzung „kerzengerade“ nach oben.



2° degree slope generates 800mm lateral offset at the height of 22m. The ES Series levels in seconds automatically to 0° degrees and brings you up "straight".

Wenderadius / Turning Radius



In der 1.20m Klasse setzt die PB S171-12E den Maßstab mit nur 2.95m Länge. Sie meistert damit selbst engste Wendequadranten von 1.80 x 3.00m! Dies wäre bei Geräten konventioneller Bauart selbst mit Allrad-Lenkung unmöglich:

In the 1.20m class, the PB S171-12E, with the length of only 2.95m is unique. It manages to turn even the tightest quadrant of 1.80 x 3.00m! This would be for units of conventional design with four-wheel steering impossible:



Dieser einzigartige Vorteil resultiert aus dem kompakten 7-teiligen, „dualen“ Scherensystem ...

Together with advantage of the compact 7-part, „Dual“ scissors system ...



... in Kombination mit der 90° Lenkung:

... in combination with the 90° steering we offer a super compact solution.

