

SJ20

VERTICAL MAST LIFT



STANDARD FEATURES

- Overload sensing system
- Drivable at full height with platform retracted
- Variable speed, front two wheel electric drive
- 90° Steering (zero inside turning radius)
- Dual holding brakes
- On-board visual interface with diagnostic capabilities
- Shroud style, impact resistant composite control box
- Proportional controls for drive & lift functions
- 16" (0.41 m) Traversing platform
- Multistage lift cylinders
- 24V DC power source
- 2 x 12V batteries
- Low voltage battery protection
- 25% Gradeability
- Solid rubber, non-marking tires
- Fixed pothole protection system
- 110V AC outlet at platform with GFI
- Tilt sensor (2.5° x 1.5°)
- Tilt alarm with drive & lift cut-out
- All motion audible alarm
- Lanyard attachment points
- Operator horn
- Lift rings/tie downs
- Half height spring hinged entry gate
- Removable oil filter
- Forklift pockets (2.5" x 5")
- Telematics ready
- 5 year warranty on standard charger
- 2 Year Gold Leaf Warranty (5 year structural warranty)

ACCESSORIES †

- Light duty pipe rack
- Tool tray
- Florescent tube carrier

OPTIONS ‡

- Dual flashing lights
- Saloon gate
- ECOTRAY leak containment system
- 4 x 6V batteries
- Bio oil
- 28mph (12.5 m/s) wind rating kit to 13 ft (3.96 m)
- Secondary guarding lift enable (SGLE)
- Non destructive testing
- ELEVATE telematics (3-year or 5-year plans available)
- ELEVATE Battery Management System (BMS)*
- Warranty options (3-year or 5-year plans available)

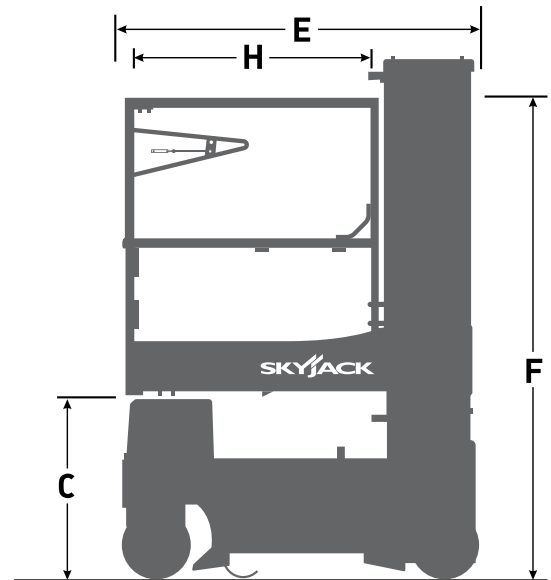
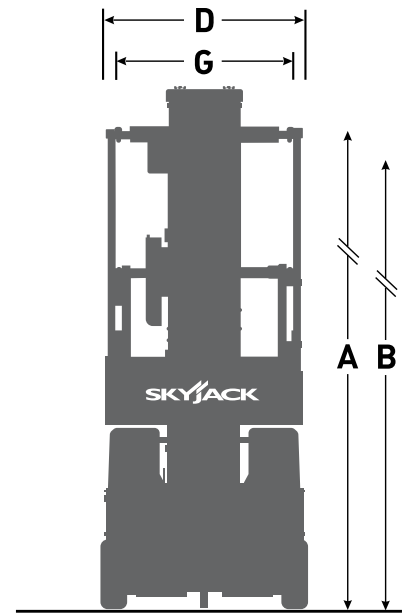
† Standard lead times may be increased when optional equipment is added, consult factory.

‡ Capacities and machine weights may differ when options are added.

* Only available with ELEVATE telematics

SJ20 VERTICAL MAST LIFT

Dimensions	SJ20
A Work Height	25' 6" (7.77 m)
B Raised Platform Height	19' 6" (5.94 m)
C Lowered Platform Height	30" (0.76 m)
D Overall Width	31.5" (0.80 m)
E Overall Length	54" (1.37 m)
F Stowed Height (Top of Mast)	79.5" (2.0 m)
G Platform Width (Inside Dimension)	27" (0.69 m)
H Platform Length (Inside Dimension)	36" (0.91 m)
Specifications	SJ20
Traversing Platform (Roll Out)	16" (0.41 m)
Ground Clearance (lowest point)	1" (2.54 cm)
Ground Clearance (highest point)	3.5" (9 cm)
Wheelbase	44" (1.12 m)
Weight	2,440 lbs (1,107 kg)
Gradeability	25%
Turning Radius (Inside)	0
Turning Radius (Outside)	55" (1.40 m)
Lift Time (With Rated Load)	25 sec
Lower time (With Rated Load)	25 sec
Drive Speed (Stowed)	2.5 mph (4.0 km/h)
Drive Speed (Raised)	0.3 mph (0.5 km/h)
Maximum Drive Height	Full Height
Capacity (Overall)	350 lbs (159 kg)
Local Floor Load (With Rated Load)	148 psi (792 kPa)
Overall Floor Load (With Rated Load)	238 psf (11.4 kPa)
Maximum # of Persons at 0 mph (0 m/s) Wind Rating	1
Maximum # of Persons up to 28 mph (12.5 m/s) Wind Rating	0 (Optional 1)
Tire Type	Solid, N/M
Tire Size	10 x 4



Skyjack Head Office
 55 Campbell Rd. Guelph, ON Canada N1H 1B9
 Sales Inquiries: 1-877-755-4387 (1-877-SJLIFTS)
 Main Switchboard: 1-800-265-2738
 Phone: 519-837-0888
 Fax: 519-837-8104
 Email: skyjack@skyjack.com

www.skyjack.com

SKYJACK
 simply reliable